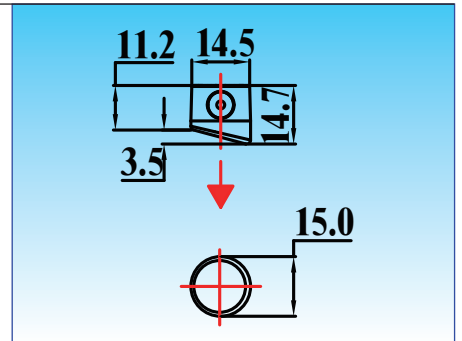




EL6031-2

LED Daylight with position light

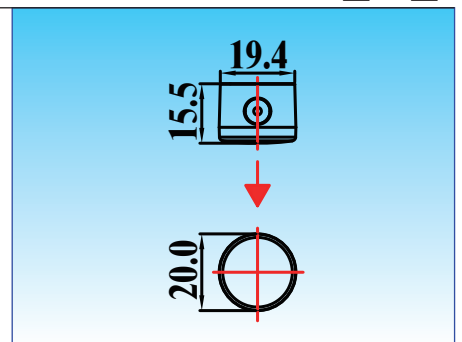
Aluminum housing with heat sink design
 UV resistant lens & high impact material & waterproof design
 Multi voltage for 12V & 24V
 LED source: 1W x 5~7 pcs
 Include Multi-Function driver



EL6034

LED Daylight with position light

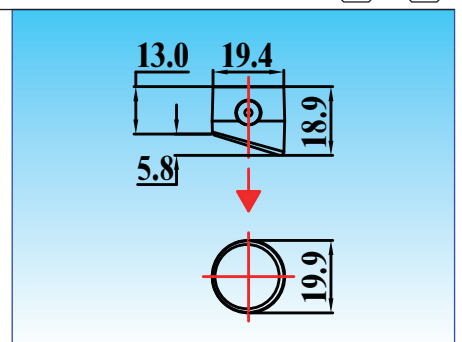
Aluminum housing with heat sink design
 UV resistant lens & high impact material & waterproof design
 Multi voltage for 12V & 24V
 LED source: 1W x 5 pcs
 Include Multi-Function driver



EL6034-2

LED Daylight with position light

Aluminum housing with heat sink design
 UV resistant lens & high impact material & waterproof design
 Multi voltage for 12V & 24V
 LED source: 1W x 5 pcs
 Include Multi-Function driver



EL6035

LED Daylight with position light

Aluminum housing with heat sink design
 UV resistant lens & high impact material & waterproof design
 Multi voltage for 12V & 24V
 LED source: 1W x 5 pcs
 Include Multi-Function driver

