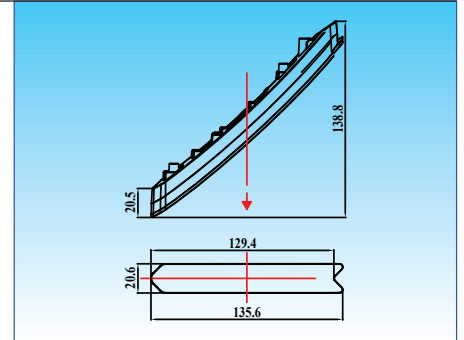




EL6058-2

LED Daylight with position light

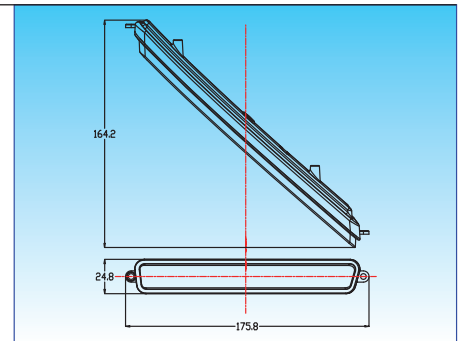
Aluminum housing with heat sink design
 UV resistant lens & high impact material & waterproof design
 Multi voltage for 12V & 24V
 LED source: 0.5W x 6 pcs
 Include multi-function driver



EL6072

LED Daylight with position light

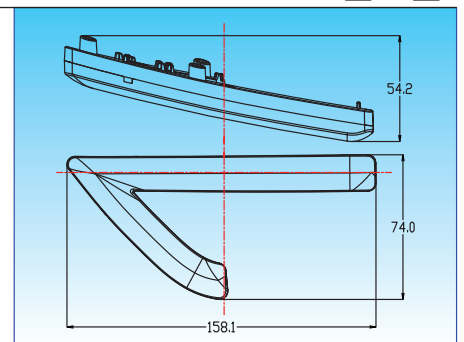
Aluminum housing with heat sink design
 UV resistant lens & high impact material & waterproof design
 Multi voltage for 12V & 24V
 LED source: 0.5W x 6 pcs
 Include multi-function driver



EL6073

LED Daylight with position light

Aluminum housing with heat sink design
 UV resistant lens & high impact material & waterproof design
 Multi voltage for 12V & 24V
 LED source: 1W x 6 pcs
 Include multi-function driver



EL6075

LED Daylight with position light

Aluminum housing with heat sink design
 UV resistant lens & high impact material & waterproof design
 Multi voltage for 12V & 24V
 LED source: 0.5W x 7 pcs
 Include multi-function driver

